



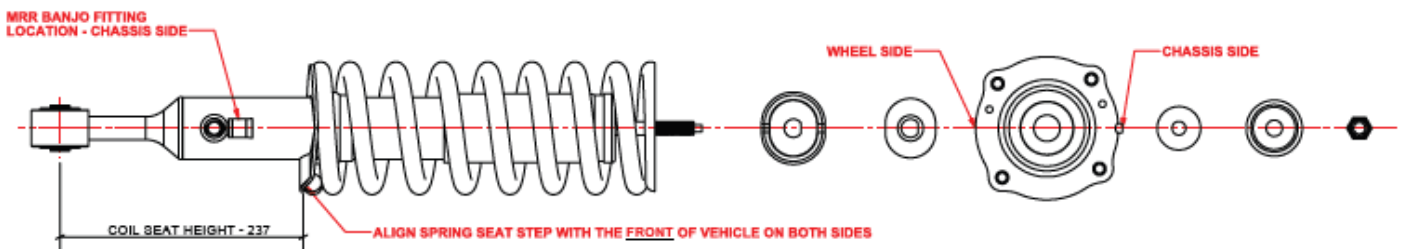
Part Number
SC59-014

## Strut Cap Washer/Bush

**NOTE – Installation is always recommended by a competent technician. Failure to install properly may result in wear to strut cap or shock absorber shaft.**

1. Install as per order in diagram
2. The MRR Adjustable nut will go on last if the shock absorber is an MRR adjustable shock absorber.
3. Make sure the strut cap is aligned as per OEM shock absorber to fit back into the vehicle. For alignment on the strut cap see diagram.

### TOYOTA LANDCRUISER (300 SERIES)



TOYOTA LANDCRUISER (300 SERIES)  
**LEFT HAND STRUT SHOWN**

Dobinsons Springs and Suspension  
Head Office – Rockhampton, AUSTRALIA  
Brisbane – Sydney – Melbourne - Adelaide

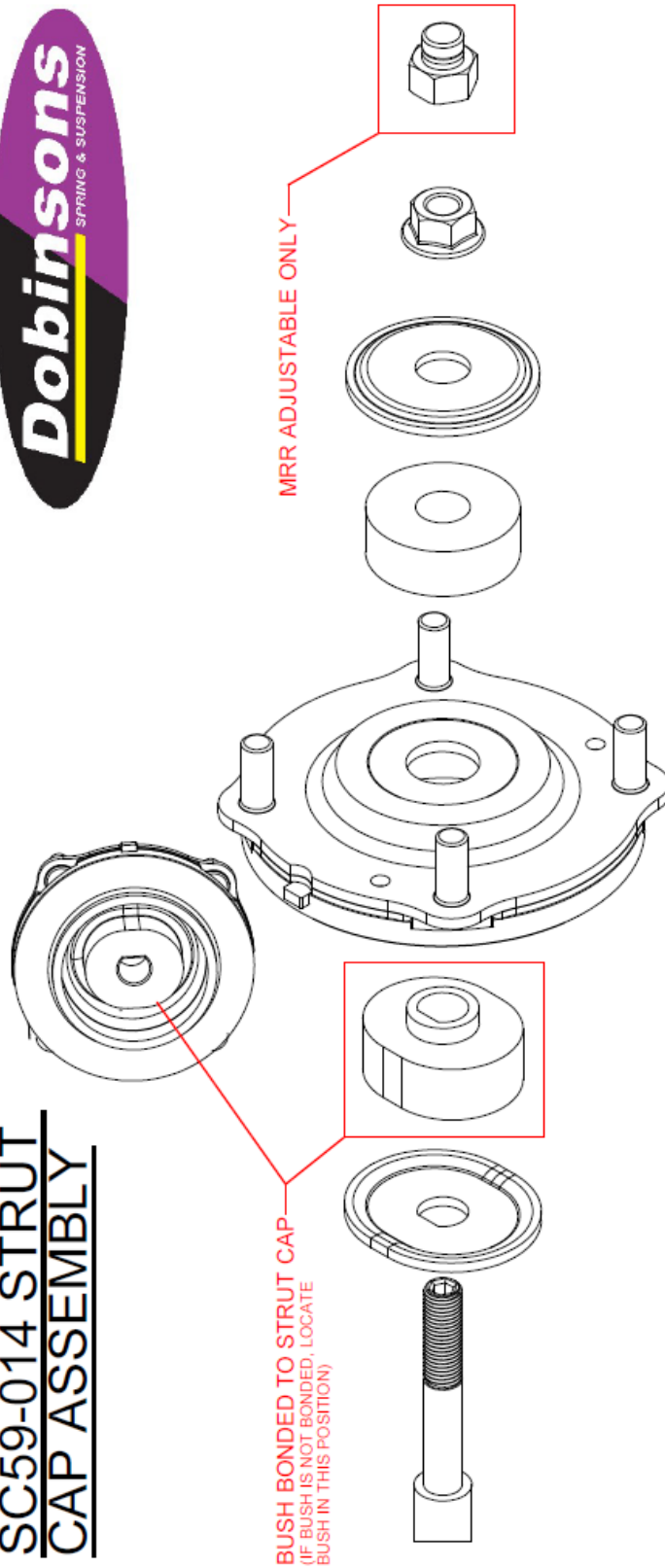
[admin@dobinsons.com](mailto:admin@dobinsons.com)

USA  
[sales@dobinsonusa.com](mailto:sales@dobinsonusa.com)

UAE  
[Dubai.sales@dobinsons.com](mailto:Dubai.sales@dobinsons.com)



# SC59-014 STRUT CAP ASSEMBLY



MRR ADJUSTABLE ONLY

BUSH BONDED TO STRUT CAP  
(IF BUSH IS NOT BONDED, LOCATE  
BUSH IN THIS POSITION)

**Dobinsons Springs and Suspension**  
Head Office – Rockhampton, AUSTRALIA  
Brisbane – Sydney – Melbourne - Adelaide

[admin@dobinsons.com](mailto:admin@dobinsons.com)

**USA**  
[sales@dobinsonusa.com](mailto:sales@dobinsonusa.com)

**UAE**  
[Dubai.sales@dobinsons.com](mailto:Dubai.sales@dobinsons.com)