



<b>Part Number</b>
--------------------

SC59-006
----------

## ***Strut Cap Washer/Bush***

***NOTE – Installation is always recommended by a competent technician. Failure to install properly may result in wear to strut cap or shock absorber shaft.***

- 1. Install as per order in diagram**
- 2. The MRR Adjustable nut will go on last if the shock absorber is an MRR adjustable shock absorber.**
- 3. Make sure the strut cap is aligned as per OEM shock absorber to fit back into the vehicle. For alignment on the strut cap see diagram.**

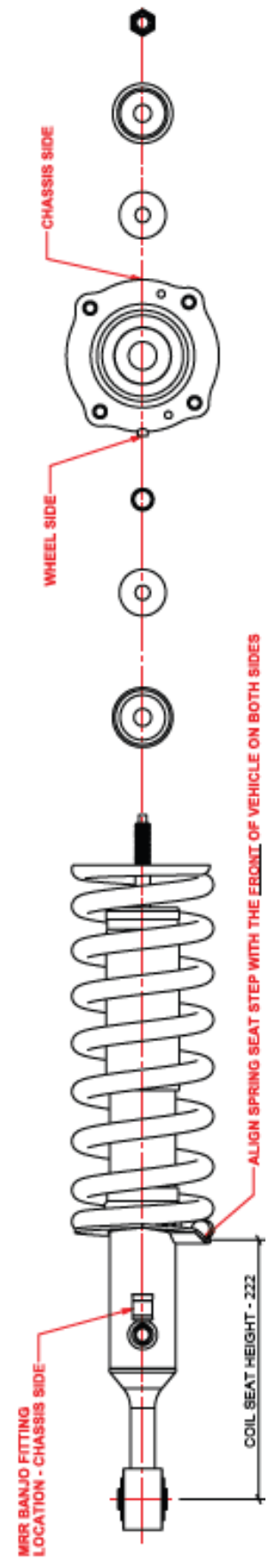
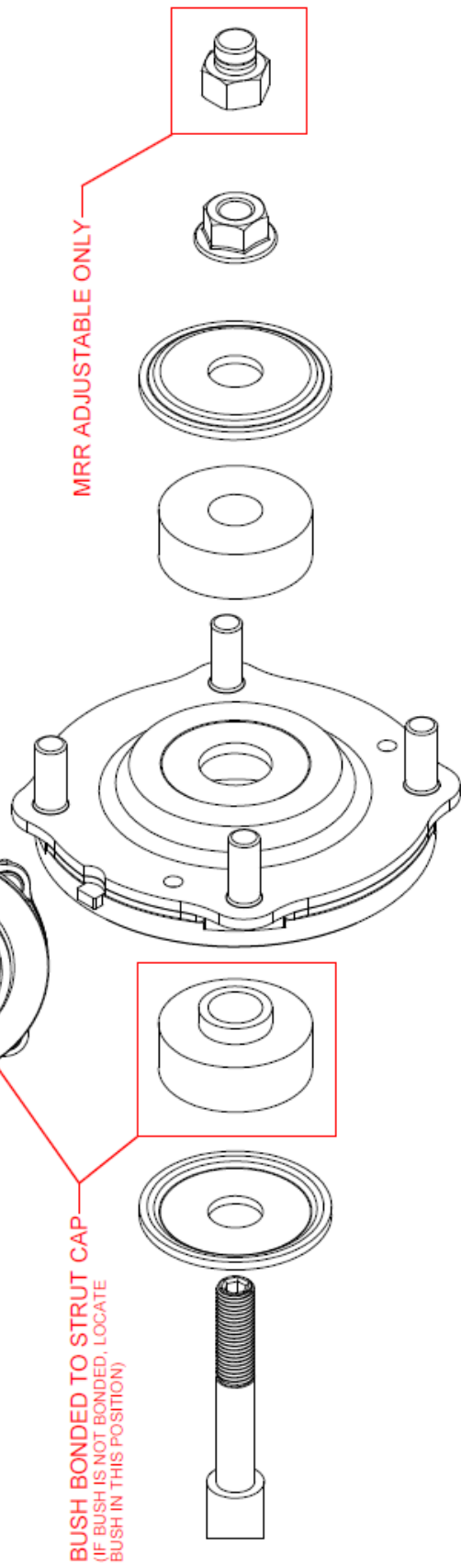
**Dobinsons Springs and Suspension**  
**Head Office – Rockhampton, AUSTRALIA**  
Brisbane – Sydney – Melbourne - Adelaide

[admin@dobinsons.com](mailto:admin@dobinsons.com)

**USA**  
[sales@dobinsonusa.com](mailto:sales@dobinsonusa.com)

**UAE**  
[Dubai.sales@dobinsons.com](mailto:Dubai.sales@dobinsons.com)

# SC59-006 STRUT CAP ASSEMBLY



**Dobinsons Springs and Suspension**  
Head Office – Rockhampton, AUSTRALIA  
Brisbane – Sydney – Melbourne - Adelaide  
[admin@dobinsons.com](mailto:admin@dobinsons.com)

**USA**  
[sales@dobinsonusa.com](mailto:sales@dobinsonusa.com)

**UAE**  
[Dubai.sales@dobinsons.com](mailto:Dubai.sales@dobinsons.com)