



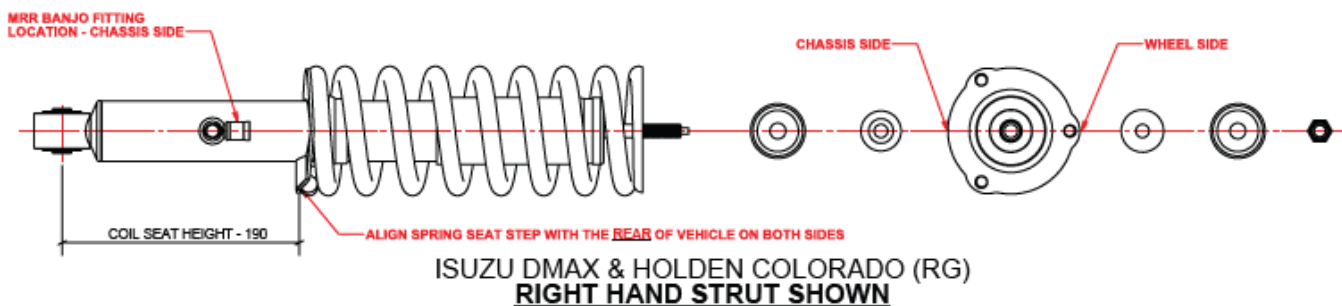
Part Number
SC59-002

Strut Cap Washer/Bush

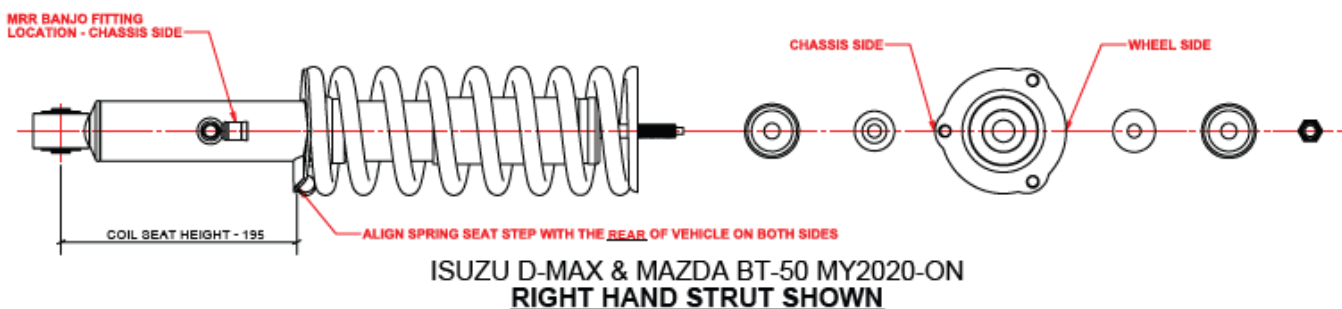
NOTE – Installation is always recommended by a competent technician. Failure to install properly may result in wear to strut cap or shock absorber shaft.

1. Install as per order in diagram
2. The MRR Adjustable nut will go on last if the shock absorber is an MRR adjustable shock absorber.
3. Make sure the strut cap is aligned as per OEM shock absorber to fit back into the vehicle. For alignment on the strut cap see diagram.

ISUZU DMAX & HOLDEN COLORADO (RG)



ISUZU D-MAX & MAZDA BT-50 MID 2020-ON



Dobinsons Springs and Suspension
Head Office – Rockhampton, AUSTRALIA
Brisbane – Sydney – Melbourne - Adelaide

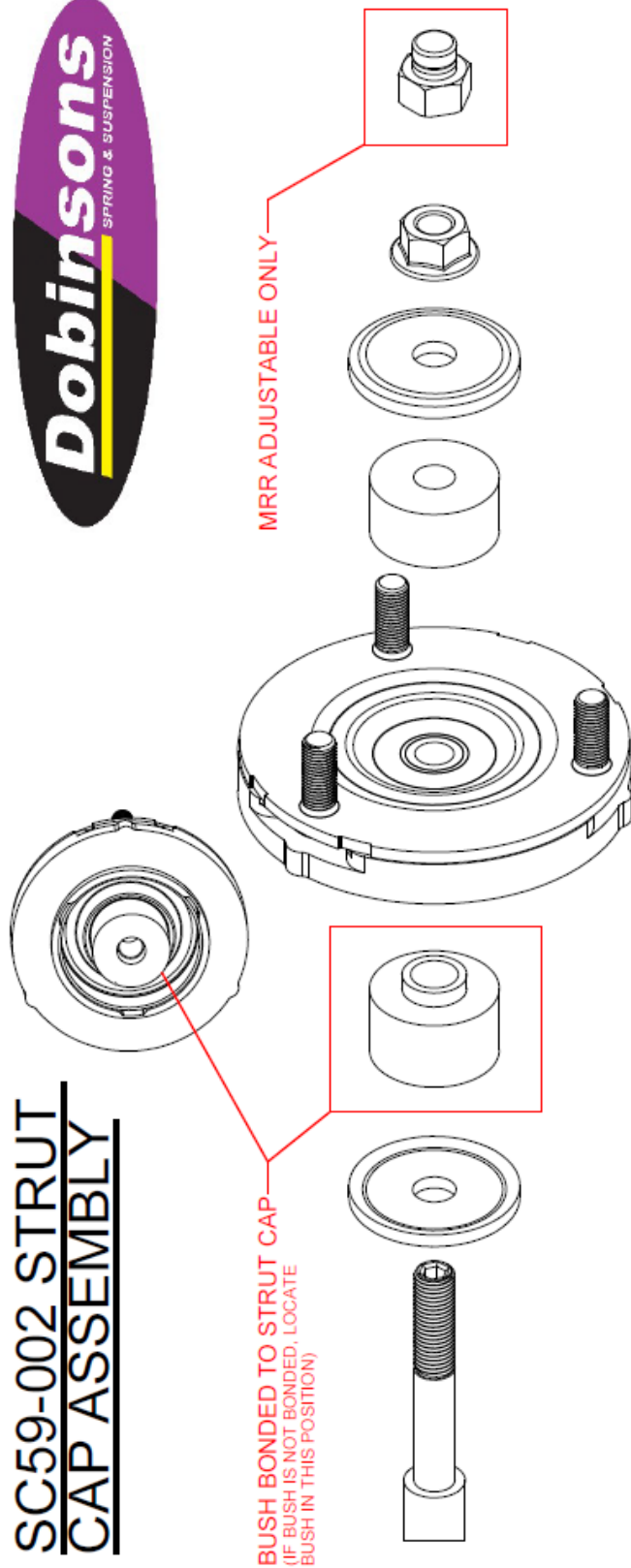
admin@dobinsons.com

USA
sales@dobinsonusa.com

UAE
Dubai.sales@dobinsons.com



SC59-002 STRUT CAP ASSEMBLY



Dobinsons Springs and Suspension
Head Office – Rockhampton, AUSTRALIA
Brisbane – Sydney – Melbourne - Adelaide

admin@dobinsons.com

USA
sales@dobinsonusa.com

UAE
Dubai.sales@dobinsons.com