



Part Number

SC45-004

Strut Cap Washer/Bush

NOTE – Installation is always recommended by a competent technician. Failure to install properly may result in wear to strut cap or shock absorber shaft.

- 1. Install as per order in diagram**
- 2. The MRR Adjustable nut will go on last if the shock absorber is an MRR adjustable shock absorber.**
- 3. Make sure the strut cap is aligned as per OEM shock absorber to fit back into the vehicle. For alignment on the strut cap see diagram.**

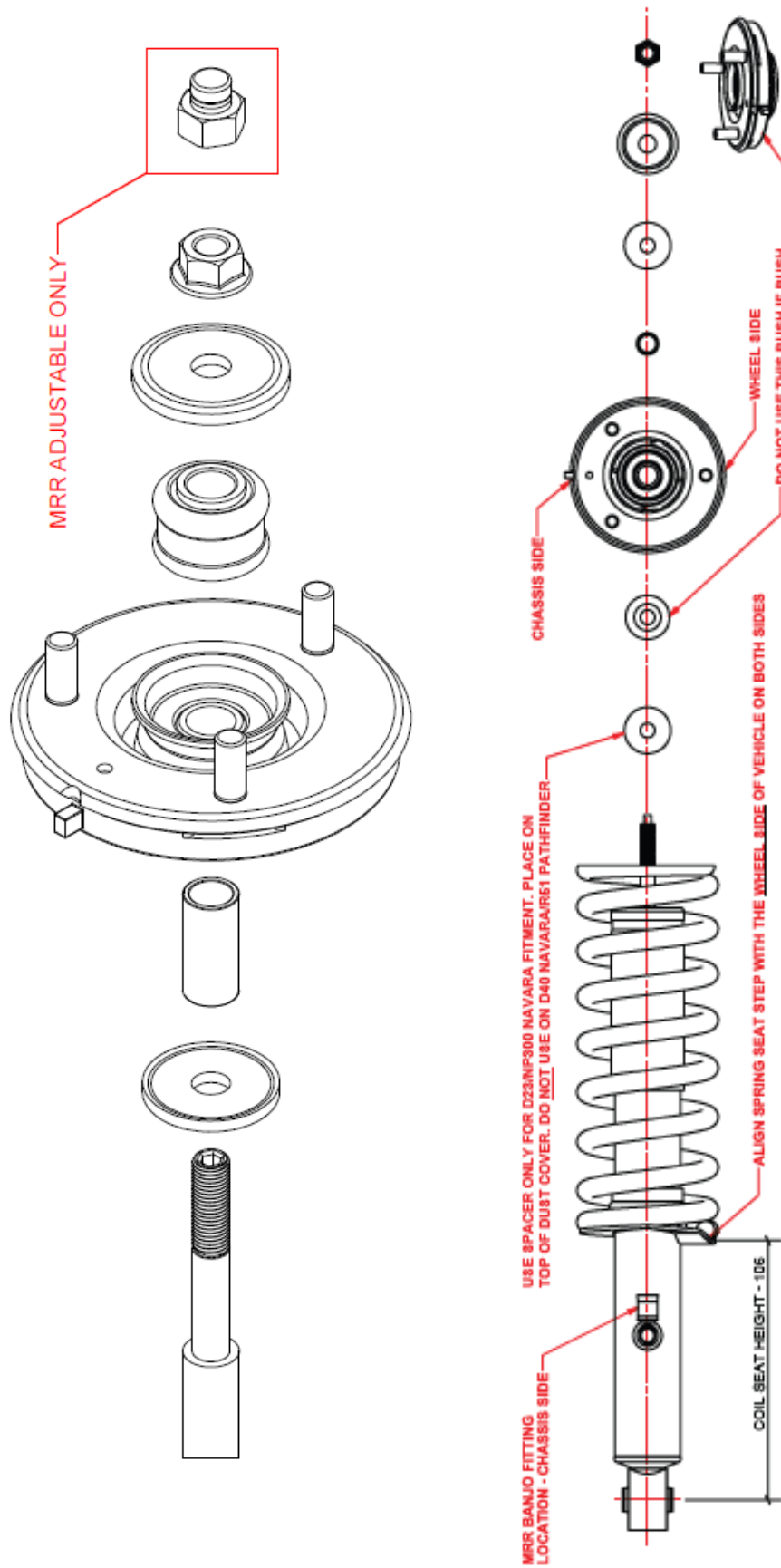
Dobinsons Springs and Suspension
Head Office – Rockhampton, AUSTRALIA
Brisbane – Sydney – Melbourne - Adelaide

admin@dobinsons.com

USA
sales@dobinsonusa.com

UAE
Dubai.sales@dobinsons.com

SC45-004 STRUT CAP ASSEMBLY



NISSAN NAVARA / FRONTIER / PATHFINDER (D40/R51 - ALL V6 DIESEL 550 MODELS)
LEFT HAND STRUT SHOWN

Dobinsons Springs and Suspension
Head Office – Rockhampton, AUSTRALIA
Brisbane – Sydney – Melbourne - Adelaide

admin@dobinsons.com

USA
sales@dobinsonusa.com

UAE
Dubai.sales@dobinsons.com