

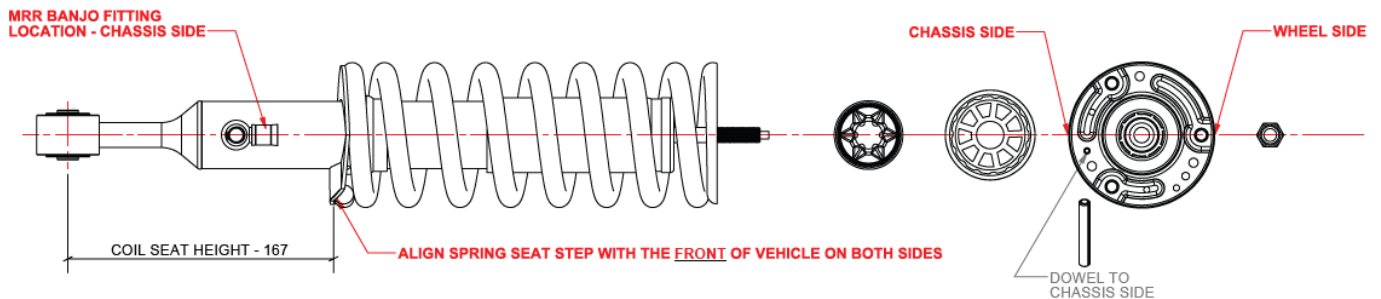


Part Number
SC19-010

## Strut Cap Washer/Bush

**NOTE – Installation is always recommended by a competent technician. Failure to install properly may result in wear to strut cap or shock absorber shaft.**

1. Install as per order in diagram
  - a. Bump stop goes on the shaft
2. Tighten the normal nut up onto the bush sleeve in the strut cap.
3. The MRR Adjustable nut will go on last if the shock absorber is an MRR adjustable shock absorber..
4. Make sure the strut cap is aligned as per OEM shock absorber to fit back into the vehicle. For alignment on the strut cap see below.



**FORD RANGER (PX 3)  
LEFT HAND STRUT SHOWN**

**Dobinsons Springs and Suspension**  
Head Office – Rockhampton, AUSTRALIA  
Brisbane – Sydney – Melbourne - Adelaide

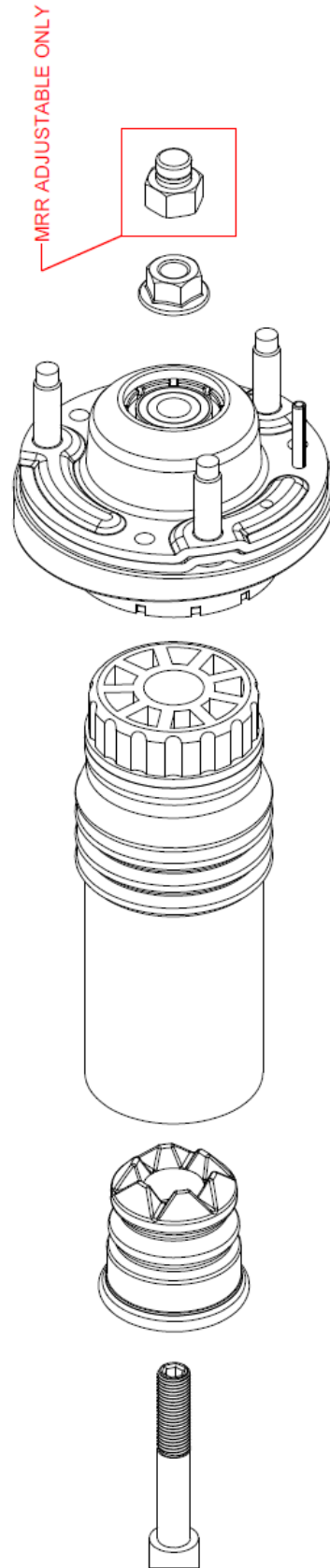
[admin@dobinsons.com](mailto:admin@dobinsons.com)

USA  
[sales@dobinsonusa.com](mailto:sales@dobinsonusa.com)

UAE  
[Dubai.sales@dobinsons.com](mailto:Dubai.sales@dobinsons.com)



**SC19-010 STRUT  
CAP ASSEMBLY**



**Dobinsons Springs and Suspension**  
Head Office – Rockhampton, AUSTRALIA  
Brisbane – Sydney – Melbourne - Adelaide

[admin@dobinsons.com](mailto:admin@dobinsons.com)

**USA**  
[sales@dobinsonusa.com](mailto:sales@dobinsonusa.com)

**UAE**  
[Dubai.sales@dobinsons.com](mailto:Dubai.sales@dobinsons.com)